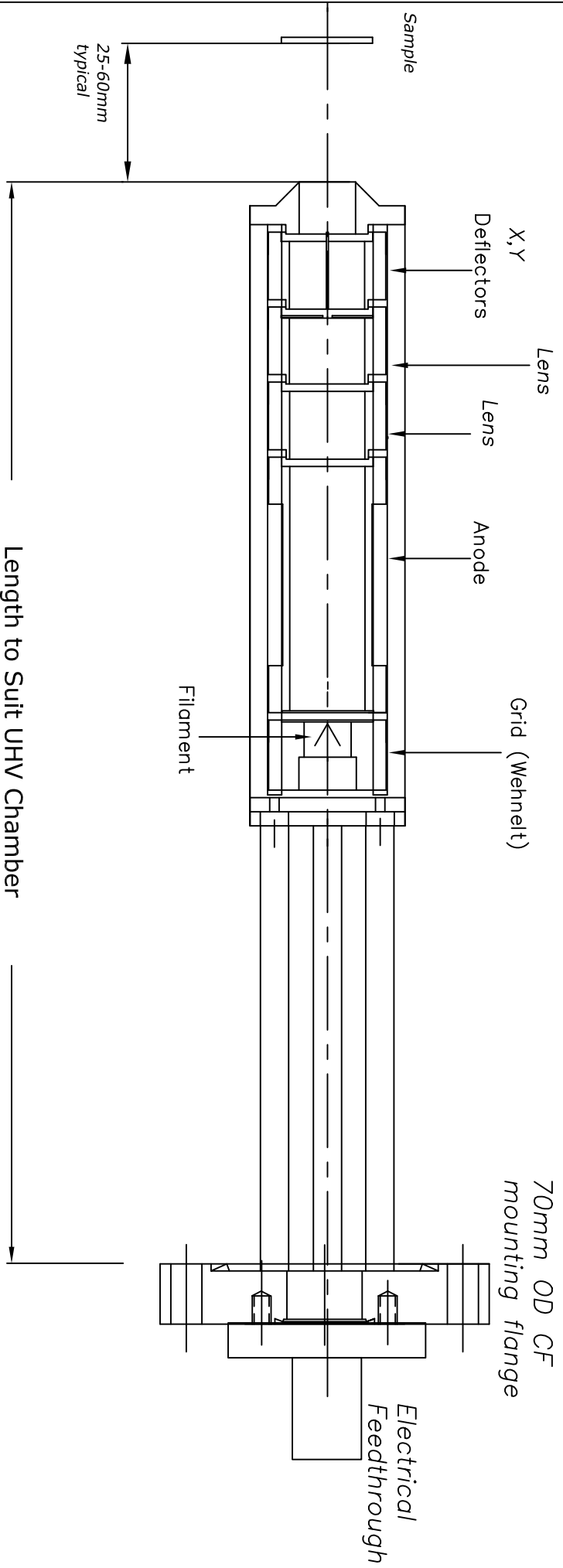


# ELS 100 Electron Gun Low Energy Electron Source for Energy Loss Spectroscopy



**PSP Vacuum Technology**  
Unit 8, Heather Close, Lyme Green Business Park  
Macclesfield, Cheshire, SK11 0LR. Tel: 01625 500154